

CITYLINE
EXPRESS

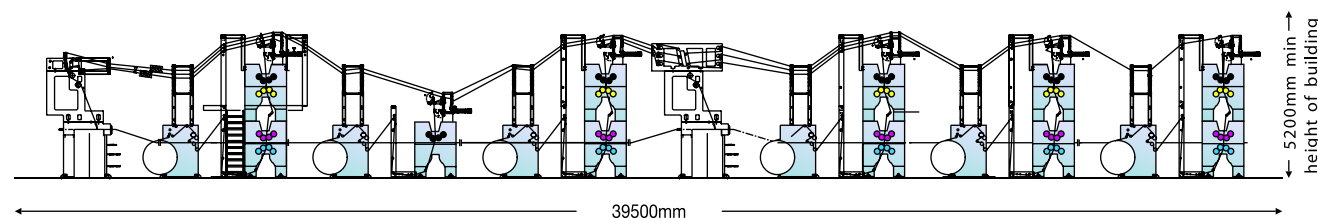
Max. printing speed 2nd fold	35,000 c.p.h.	
Max. printing speed 3rd fold	20,000 c.p.h. for 1:2:2 folder (2 webs) 30,000 c.p.h. for 2:2:2 folder (4 webs)	
Max. reel diameter	1067 mm (42 inches); a higher reel diameter upto 1270 mm (50 inches) available on tower units with reel stands from 3rd party	
Web width	915 mm (36 inches) - Tenon Type Blanket Clamping System 850 mm (33 1/2 inches) - Worm & Worm Wheel Blanket Clamping System	
Printing unit modules	Mono, H and 4 Hi Tower with vertical web leads	
Cut-off length	508, 533, 546, 560, 578, 598.5 mm (20, 21, 21 1/2, 22, 22 3/4, 23 1/2 inches)	
Plate mounting	Toolless plate lock	
Flying Splicer / Autopaster	Standalone for Mono / H / Tower unit	
Reelstand	Standalone for Tower unit Integrated for Mono unit	
Jaw folder	Jaw folder 1:2:2 upto 4 webs Jaw folder 2:2:2 upto 6 webs Jaw folder 2:2:2 upto 8 webs	
Data management	PLC based	
Accessories	<ul style="list-style-type: none"> • Plate punching device • Plate bending device • Set of tools 	<ul style="list-style-type: none"> • Set of spare parts • Web trolley for loading • Centralised chilled water tank
Optionals	<ul style="list-style-type: none"> • Options for 1:2:2 folder • Options for 2:2:2 folder 	<ul style="list-style-type: none"> - Third (quarter) fold – Chopper type - Third (quarter) fold – Rotary type - Double parallel fold - Balloon (upper) former
	<ul style="list-style-type: none"> • Flying Splicer • Turner bar • Bay window • Detachable shaft • Close loop registration & cut-off control system • Stacked reelstand for 2 webs provision • ManuColor remote ink zone control • CIP3 interface to ManuColor for Ink presetting • Heatset package • Shaftless Drive (foot print basis) 	

CITYLINE EXPRESS

4-Page Newspaper Offset Press



CONFIGURATION



Manugraph India Ltd.
Sidhwa House, N.A. Sawant Marg, Colaba, Mumbai - 400 005 INDIA Phone : +91 22 2287 4815/1191
Fax : +91 22 2287 0702 E-mail : sales@manugraph.com Website : www.manugraph.com

Cityline Express is subject to continuous upgradation resulting from ongoing research and development and practical experiences gained. Therefore, in the interest of the customers we reserve the right to modify the specifications, features and technical datas without notice. Only the specifications while confirming the order shall be binding.
CITYLINE EXPRESS is a registered trademark of Manugraph India Ltd.

10/09



Meeting multicolour printing requirements with amazing variety

CITYLINE EXPRESS puts its major focus on multicolour printing with a wide range of modules occupying very little floor space. The very concept of **CITYLINE EXPRESS** is the ability to provide a combination of different print modules to meet a variety of production requirements. **CITYLINE EXPRESS** is a single width, single circumference machine from the Manugraph stable, running at a maximum speed of 35,000 revolutions per hour. All controls are PLC based for ease of operation, which reduces make ready time and improves productivity. **CITYLINE EXPRESS** facilitates a wide gamut of printing applications such as newspapers, supplements, books, magazines etc. Short web path ensures excellent print quality and reduced waste. This provides an excellent price performance ratio.

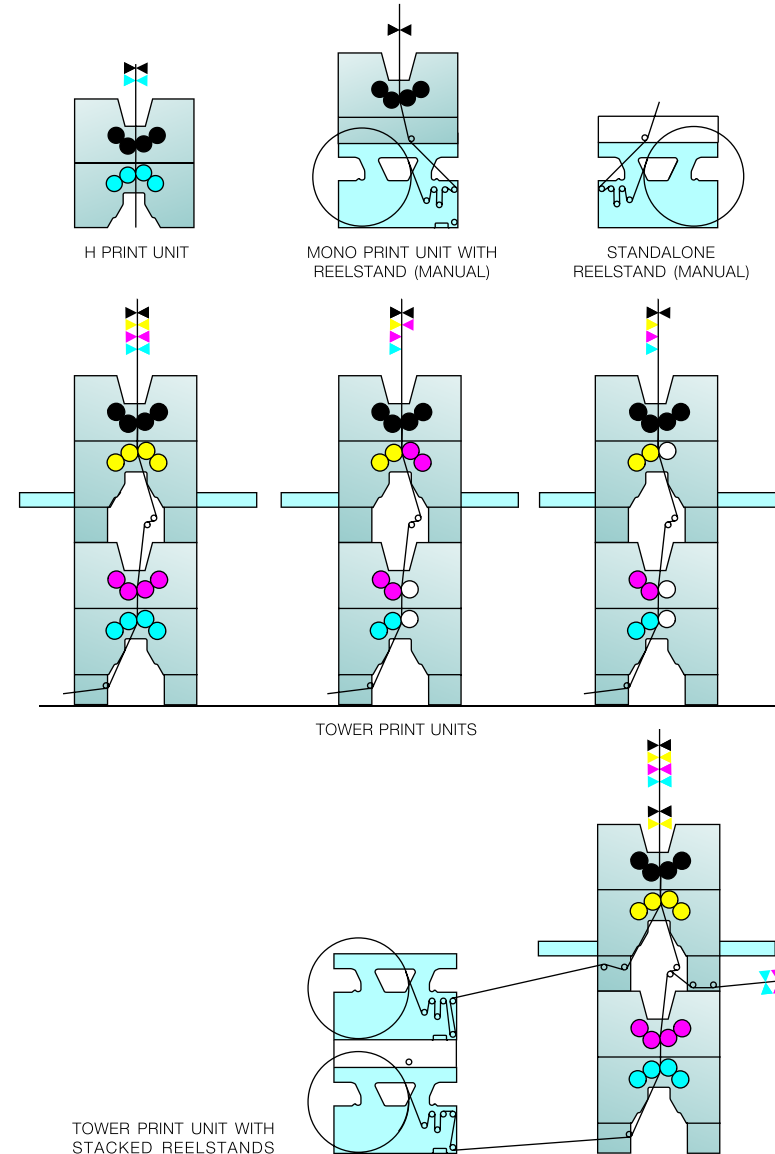
CITYLINE EXPRESS features at a glance

- Mechanical speed 35,000 revolutions per hour
- Integrated Reelstand for Mono Unit and standalone Reelstand for Tower unit. Option of standalone flying splicer
- Pneumatics for impression, inking & dampening forme roller, ink take up roller throw on-off
- 7 roller inking system with 2 forme rollers of different diameters
- 4 Roller contact less Brush Dampening System
- Motorised Lateral & Circumferential Register System
- Jaw folder – 1:2:2 or 2:2:2
- PLC operated Electrical System
- Shear Pin for safety
- Image Corrector to minimise fanout
- Easy coupling & decoupling arrangement in Main Drive
- Option of ManuColor remote ink zone control and CIP3 interface

Criteria for selection of your CITYLINE EXPRESS Print Unit Modules

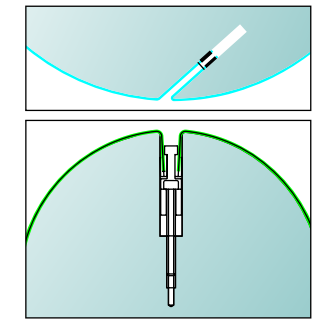
Printing units are available in Mono unit & H unit with vertical web lead. A Tower is made up of 2 H units stacked one over the other to get better print quality. For back to back 4 colour printing, Tower module is most ideal. Its short web path ensures perfect register at maximum speed. Tower units to meet 4/1, 4/2 requirements are also available as required. With 2 Reelstands, a Tower can handle 2 webs also. For more pagination with single colour printing, Mono units coupled with Integrated Reelstand is quite effective. Reelstand units are flexible in placement and can be kept in line, at right angles, or stacked on each other to suit the space available. Different print modules can be configured to suit pagination and colour requirements in least space. **CITYLINE EXPRESS** Print Modules can also be added on to your existing presslines easily.

Print Unit Modules



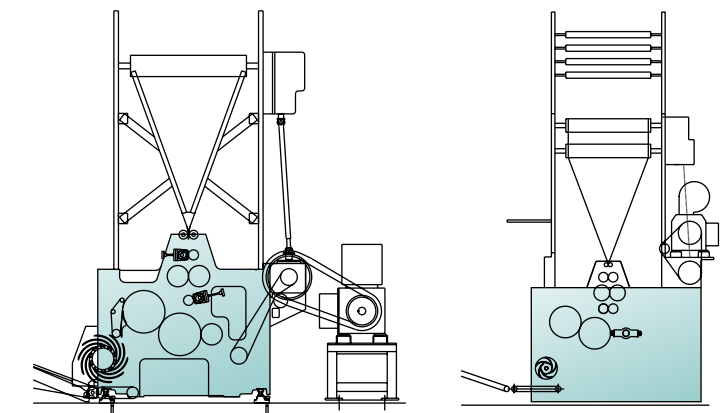
Cylinders for the best performance

- Solid steel, dynamically balanced hard chrome plated plate cylinders and stainless steel blanket cylinders running on alloy steel bearers
- Supported on precision taper roller bearings
- Toolless plate lock up.
- Register wedges for true register
- Tenon Type Blanket Clamping System
- Worm & Worm Wheel Blanket Clamping system (optional)



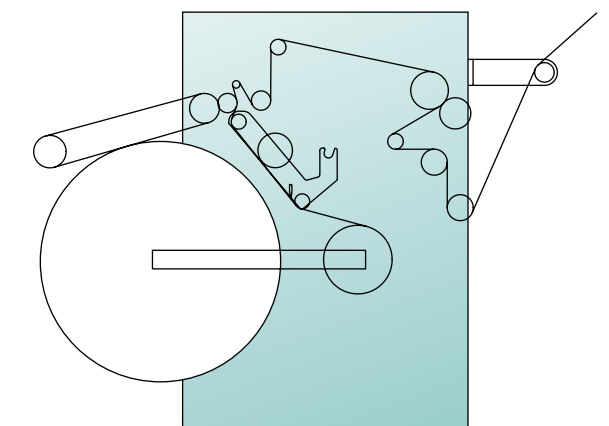
Folder Features.

- Jaw folder with 1:2:2 or 2:2:2 cylinder ratio
- PIV driven RTF roller
- Air cushioned former
- Lap adjustment facility
- Slitter mechanism for tabloid production
- Folding cylinder with diameter increment facility.
- Shear pin in the folder driveline
- Electronic multi sheet detection facility (for 2:2:2 folder)
- Adjustable batch counter
- Cross perforation option for 3rd Fold Folder



Flying Splicer for Towers

- Option of flying splicer – inline / at basement / 90°
- Pneumatically operated dancing rollers linked to reel brakes for constant web tension
- Pneumatically operated ventilated disc brake
- Separate AC motor for reel holding arm rotation
- Hydraulic or mechanical web trolley for reel loading
- Electronic photo sensors, inductive sensors and encoder for positioning of reels and arms movements
- Remote linked PLC for autopasting, with encoder for precise position sensing
- Knife and sponge roller mechanism for pasting
- Belt drive to speed up new reel
- Pneumatically expandable reel clamping shaft



Central Console Functions

- Central Control with PLC for press controls and automatic sequential mode printing functions
- Open loop motorised registration controls
- Dampening system through master-slave control
- Display facility for machine speed-sheet counter, batch quantity, fault indication, print unit function indication and register value
- ManuColor remote ink zone control (optional)

